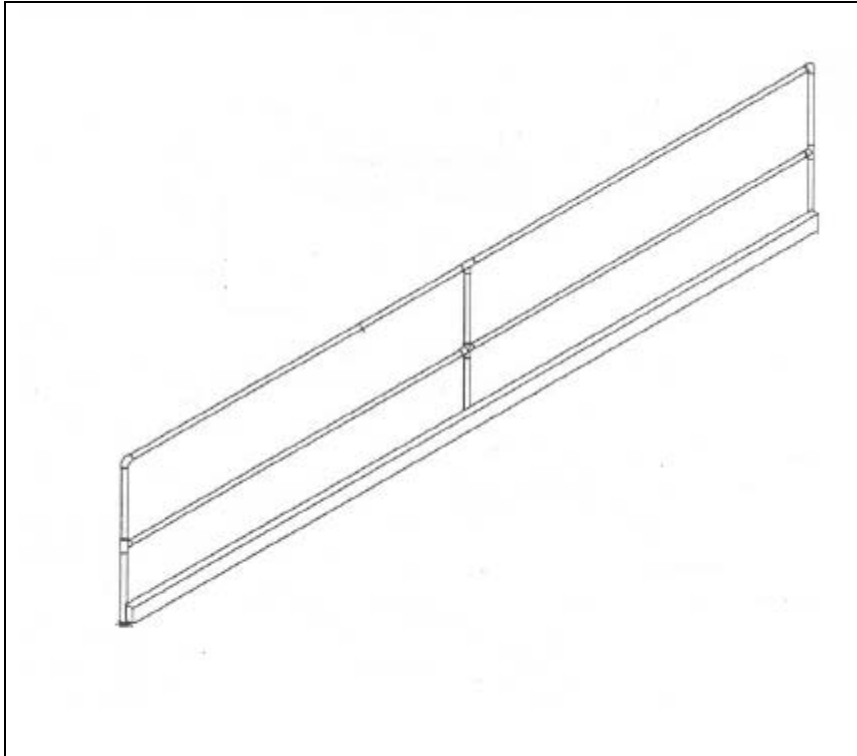
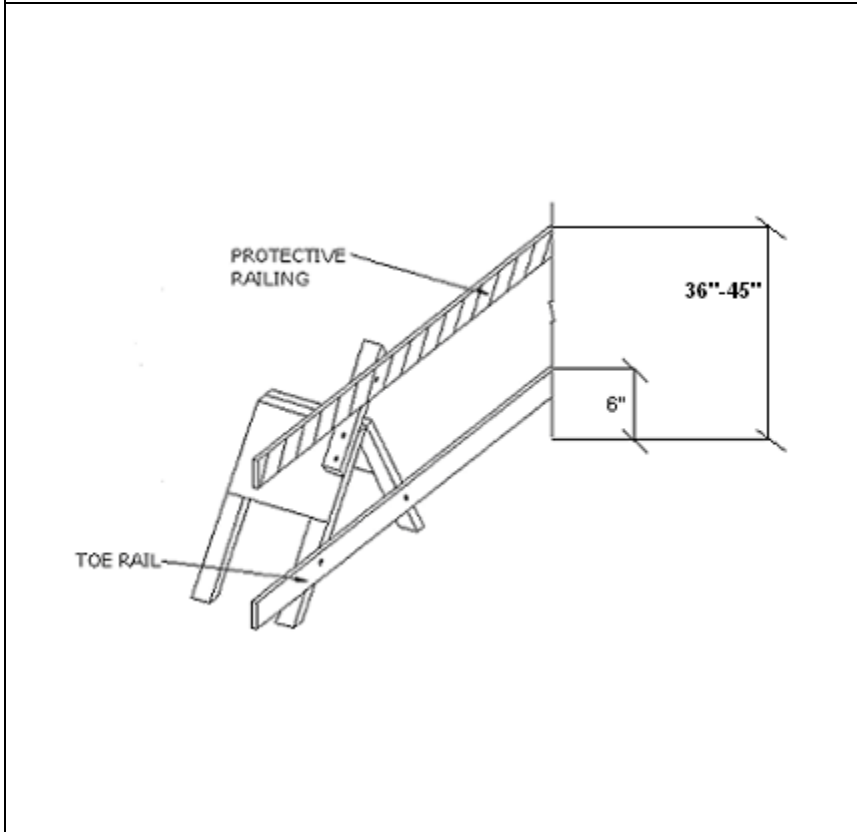


**Attachment 3  
Barrier Specifications**



**Plastic Barrier**

- 36" – 45" Height
- 1-1/2" Outside Dia. Pipe
- 8' Max. between posts
- Toe board – 4-6" Height
- Bright contrasting colors marking each end



**A-Frame with Hand  
and Toe Rail**

- 36"-45" Height
- Toe board – 4-6" Height
- Bright contrasting colors marking each end